

| REVISIONS | | | | |
|-----------|------|--------------|----------|--------|
| SYM | ZONE | ECN, ERN NO. | DATE | APPRD. |
| C | | PROPOSAL | MAY23/06 | A.G. |
| D | | PROPOSAL | SEP20/06 | A.G. |

AMPHENOL PART NUMBER CONFIGURATION:

U65 - X XX - X X 1 XXXX

INFINITY _____
RECEPTACLE _____
STYLE _____
 B = R/A SMT, 2 LOCATION
 AND 2 SOLDERING POSTS
 E = R/A SMT, 2 LOCATION
 AND 2 SCREW MOUNT HOLES
CONNECTOR TYPE _____
 04 = 4X
 12 = 12X
PLATING _____
 1 = 50μ" GOLD
 2 = 30μ" GOLD
 3 = GOLD FLASH OVER
 PALLADIUM-NICKEL (LEAD FREE)
 4 = 50μ" GOLD (RoHS COMPLIANT)
 5 = 30μ" GOLD (RoHS COMPLIANT)
OPTION _____
 0 = 2 PIECE LOCKING PLATE (SHIPPED LOOSE)
 1 = ONE PIECE LOCKING PLATE (SHIPPED LOOSE)
 2 = NO LOCKING PLATE
 3 = NO LOCKING PLATE AND NO GASKET

PACKAGING/SPECIAL
 (NOTE: ALL "M" OPTIONS ARE FOR STYLE E
 WITH .062" TO .093" THICK PCB'S ONLY)
 NO DIGIT = TRAY PACKAGING
 NO REAR COVER
 C = TRAY PACKAGING
 WITH REAR COVER (SHIPPED LOOSE)
 M = TRAY PACKAGING, NO REAR COVER,
 M2 SCREWS INCLUDED (SHIPPED LOOSE)
 CM = TRAY PACKAGING, W/ REAR COVER,
 M2 SCREWS INCLUDED (BOTH SHIPPED LOOSE)
 T = TAPE & REEL PACKAGING
 NO REAR COVER
 CT = TAPE & REEL PAKAGING
 W/ REAR COVER (SHIPPED LOOSE)
 MT = TAPE & REEL PAKAGING, NO REAR COVER,
 M2 SCREWS INCLUDED (SHIPPED LOOSE)
 CMT = TAPE & REEL PAKAGING, W/ REAR COVER,
 M2 SCREWS INCLUDED (BOTH SHIPPED LOOSE)
KEYING OPTION
 0 = NO KEYING (STD)
 1 = KEYING 1 & 6
 2 = KEYING 2 & 6
 3 = KEYING 3 & 5
 4 = KEYING 4 & 5
MOUNTING STYLE
 LANYARD LATCH

THIS IS A CAD DRAWING. DO NOT MANUALLY REVISE.

1. **MATERIAL:**
 PLASTIC HOUSING:
 HIGH TEMPERATURE POLYMER, FLAMMABILITY RATING UL94V-0.
 CONTACTS:
 PHOSPHOR BRONZE
 PLATING OPTION 1 OR 2 (50μ" OR 30μ" GOLD):
 50μ" [1.27 μm] OR 30μ" [0.76 μm] MIN. GOLD OVER 50μ" [1.27 μm] MIN. NICKEL ON CONTACT
 MATING SURFACES. 150μ" [3.81 μm] MIN. TIN-LEAD (90/10) OVER 50μ" [1.27 μm] NICKEL ON
 CONTACT TAILS.
 PLATING OPTION 3 (GOLD FLASH OVER PALLADIUM-NICKEL):
 2μ" [0.05 μm] MIN. GOLD OVER 25μ" [0.635 μm] MIN. PALLADIUM-NICKEL ON CONTACT MATING
 SURFACES. 0.3μ" [0.007 μm] MIN. GOLD OVER 1.2μ" [0.03 μm] MIN. PALLADIUM-NICKEL ON
 CONTACT TAILS. 50μ" [1.27 μm] MIN. NICKEL UNDER PLATING.
 PLATING OPTION 4 OR 5 (RoHS) (50μ" OR 30μ" GOLD):
 50μ" [1.27 μm] OR 30μ" [0.76 μm] MIN. GOLD OVER 50μ" [1.27 μm] MIN. NICKEL ON CONTACT
 MATING SURFACES. 2μ" [0.05 μm] MIN. GOLD OVER 50μ" [1.27 μm] MIN. NICKEL ON CONTACT TAILS.
 METAL SHELL:
 DIE CASTING ALLOY
 PLATING:
 100μ" [2.54 μm] MIN. NICKEL OVER COPPER UNDER LAYER
 GASKET:
 STAINLESS STEEL
 LOCKING PLATE:
 STAINLESS STEEL
 M2 SCREWS:
 STEEL WITH ZINC PLATING

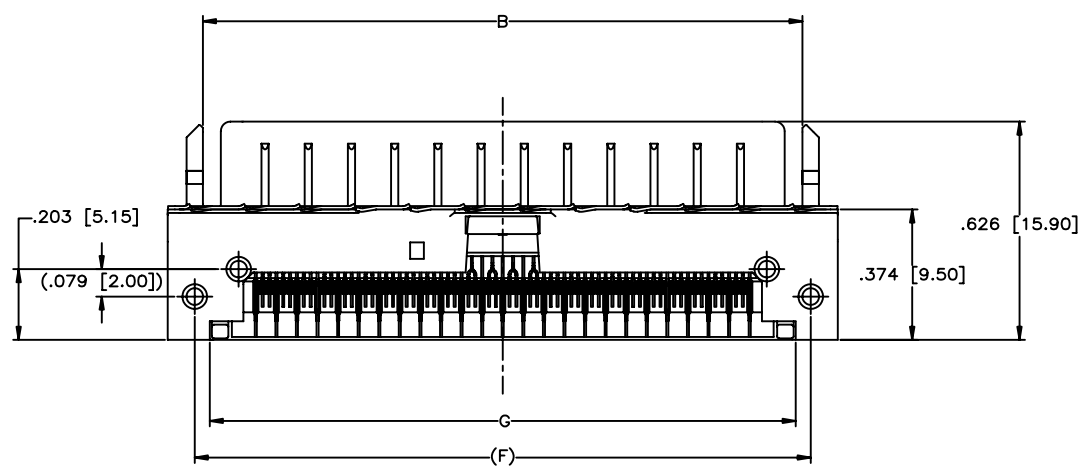
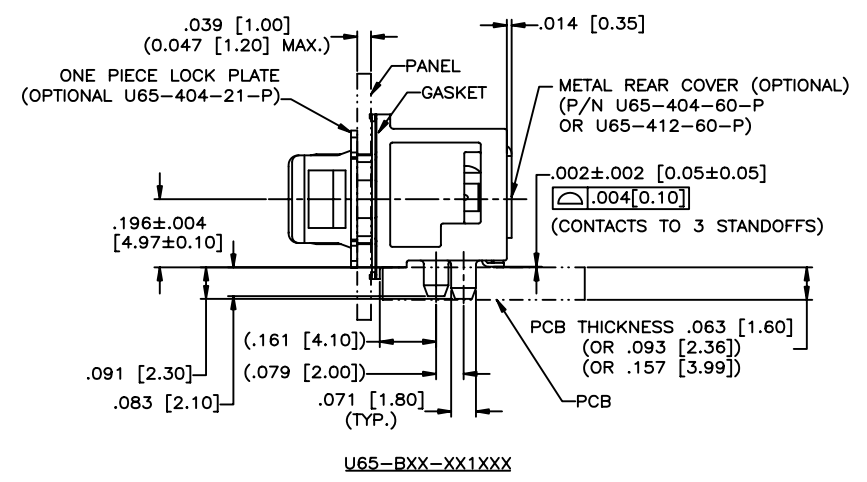
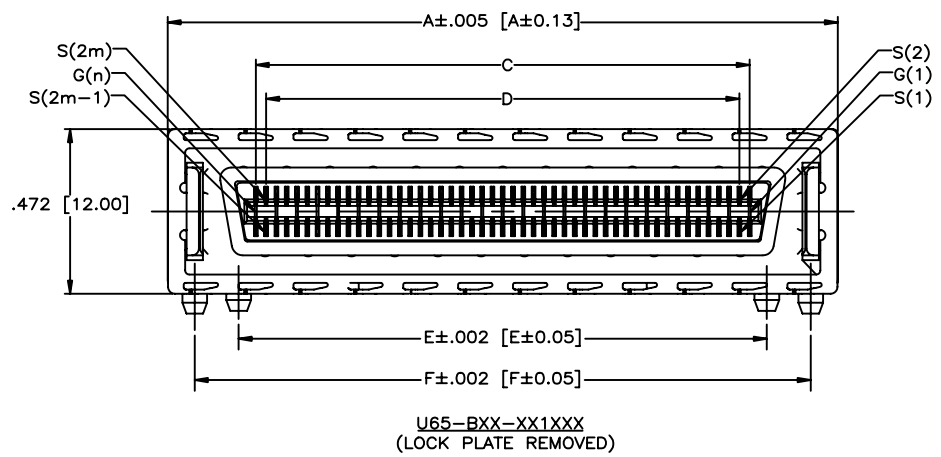
2. **TEMPERATURE RANGE:**
 -40°C TO +85°C

THIS DOCUMENT CONTAINS PROPRIETARY INFORMATION AND SUCH INFORMATION
 MAY NOT BE DISCLOSED TO OTHERS FOR ANY PURPOSE OR USED FOR MANUFACTURING
 PURPOSES WITHOUT WRITTEN PERMISSION FROM AMPHENOL CANADA CORP.

| | | | | | |
|-------------------|--------|--------------|------------|--|--------|
| DRAWN | M.LONG | DATE | 2005/05/16 | Amphenol Canada Corp. | |
| DESIGNED | | | | | |
| CHECKED | J.SI | DATE | 2005/05/16 | | |
| I. E. APPRD. | | | | | |
| Q. A. APPRD. | | | | TITLE INFINITY 4X/12X RECEPTACLE, LANYARD STYLE, FIXED BOARD, RIGHT ANGLE SMT, LOCATING/SOLDERING POSTS | |
| DWG. APPRD. | | | | | |
| ENG. REL. NO. | | | | | |
| REF. | | | | | |
| DIMENSIONS ARE IN | | CODE ID. NO. | 03554 | DWG. DRAWING NO. | REV. |
| INCHES (mm) | | | | A | D |
| | | SCALE | 2/1 | WT. | |
| | | SURF. | | SHEET | 1 OF 4 |

| REVISIONS | | | |
|-----------|------|--------------|----------|
| SYM | ZONE | ECN, ERN NO. | DATE |
| C | | PROPOSAL | MAY23/06 |
| D | | PROPOSAL | SEP20/06 |

THIS IS A CAD DRAWING. DO NOT MANUALLY REVISE.



DIMENSION TABLE:

| PART NUMBER | U65-X04-XX1XXX | U65-X12-XX1XXX |
|-------------|----------------|----------------|
| A | .978 [24.85] | 1.923 [48.85] |
| B | .776 [19.70] | 1.720 [43.70] |
| C | .472 [12.00] | 1.417 [36.00] |
| D | .413 [10.50] | 1.358 [34.50] |
| E | .571 [14.50] | 1.516 [38.50] |
| F | .823 [20.90] | 1.768 [44.90] |
| G | .736 [18.70] | 1.681 [42.70] |
| H | .894 [22.70] | 1.839 [46.70] |
| K | .776 [19.70] | 1.720 [43.70] |
| m | m = 1 - 8 | m = 1 - 24 |
| n | n = 1 - 9 | n = 1 - 25 |

** REFER TO [mm] AS PRIMARY DIMENSIONS.

| | | | |
|-------------------|--------------|------|------------|
| DRAWN | M.LONG | DATE | 2005/05/16 |
| DESIGNED | | | |
| CHECKED | J.SJ | DATE | 2005/01/07 |
| I. E. APPRD. | | | |
| Q. A. APPRD. | | | |
| DWG. APPRD. | | | |
| ENG. REL. NO. | | | |
| REF. | | | |
| DIMENSIONS ARE IN | CODE ID. NO. | | |
| INCHES [mm] | 03554 | | |

Amphenol Canada Corp.

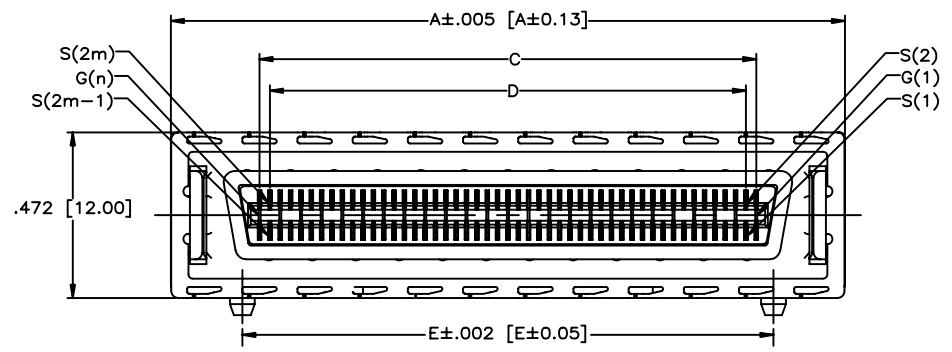
TITLE
INFINITY 4X/12X RECEPTACLE, LANYARD
STYLE, FIXED BOARD, RIGHT ANGLE SMT,
LOCATING/SOLDERING POSTS

| | | |
|-------|-------------------|--------------|
| DWG | DRAWING NO. | REV. |
| A | P-U65-XXX-XX1XXXX | D |
| SCALE | 2/1 | WT. _____ |
| SURF. | _____ | SHEET 2 OF 4 |

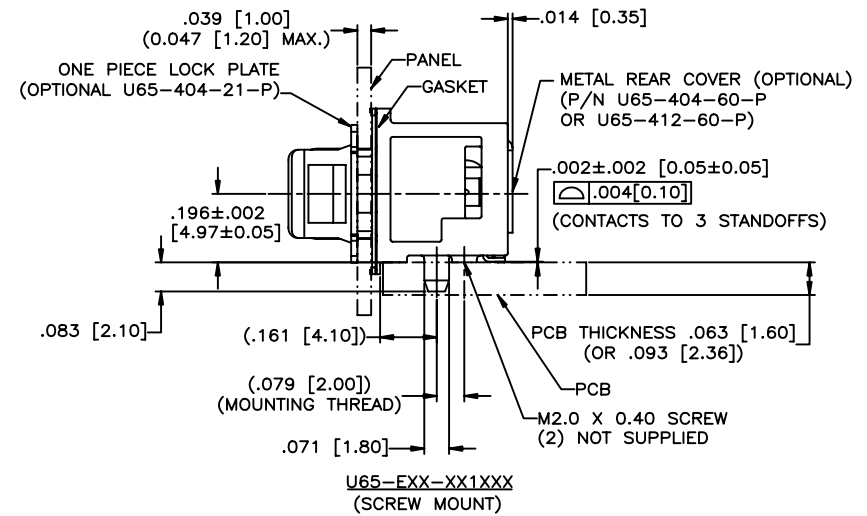
THIS DOCUMENT CONTAINS PROPRIETARY INFORMATION AND SUCH INFORMATION MAY NOT BE DISCLOSED TO OTHERS FOR ANY PURPOSE OR USED FOR MANUFACTURING PURPOSES WITHOUT WRITTEN PERMISSION FROM AMPHENOL CANADA CORP.

| REVISIONS | | | | |
|-----------|------|--------------|----------|--------|
| SYM | ZONE | ECN, ERN NO. | DATE | APPRD. |
| C | | PROPOSAL | MAY23/06 | A.G. |
| D | | PROPOSAL | SEP20/06 | A.G. |

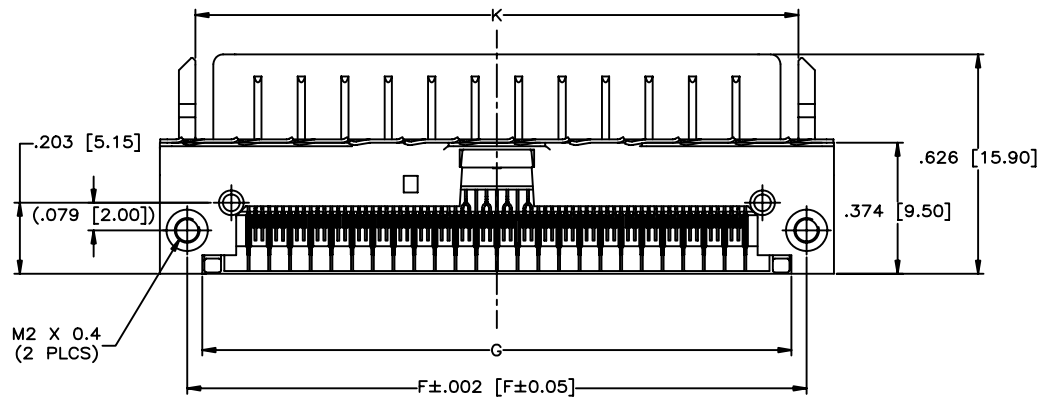
THIS IS A CAD DRAWING. DO NOT MANUALLY REVISE.



U65-FXX-XX7XXX
(LOCK PLATE REMOVED)



U65-FXX-XX1XXX
(SCREW MOUNT)



U65-FXX-XX7XXX
(LOCK PLATE REMOVED)

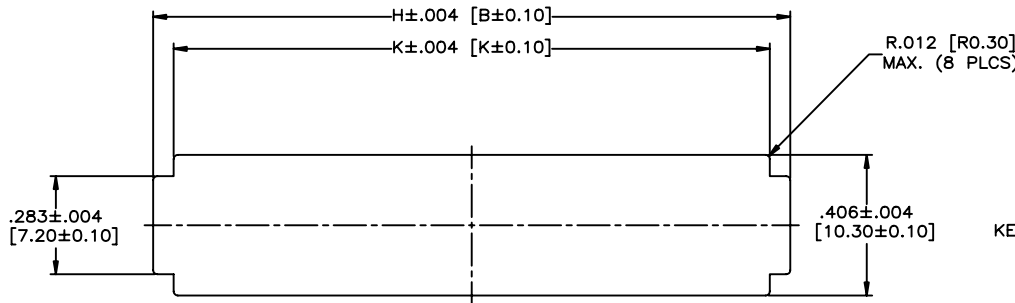
** REFER TO [mm] AS PRIMARY DIMENSIONS.

| | | | | | |
|-------------------|--------|--------------|------------|---|-------------------|
| DRAWN | M.LONG | DATE | 2005/05/16 | Amphenol Canada Corp. | |
| DESIGNED | | | | | |
| CHECKED | J.SI | DATE | 2005/06/16 | | |
| I. E. APPRD. | | | | | |
| Q. A. APPRD. | | | | TITLE | |
| DWG. APPRD. | | | | INFINITY 4X/12X RECEPTACLE, LANYARD STYLE, FIXED BOARD, RIGHT ANGLE SMT, LOCATING/SOLDERING POSTS | |
| ENG. REL. NO. | | | | DWG | DRAWING NO. |
| REF. | | | | A | P-U65-XXX-XX1XXXX |
| DIMENSIONS ARE IN | | CODE ID. NO. | 03554 | SCALE | 2/1 |
| INCHES [mm] | | | | WT. | |
| | | | | SURF. | |
| | | | | | SHEET 3 OF 4 |

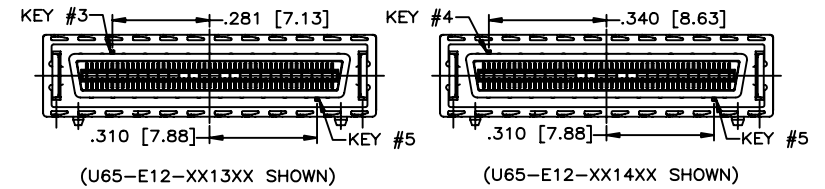
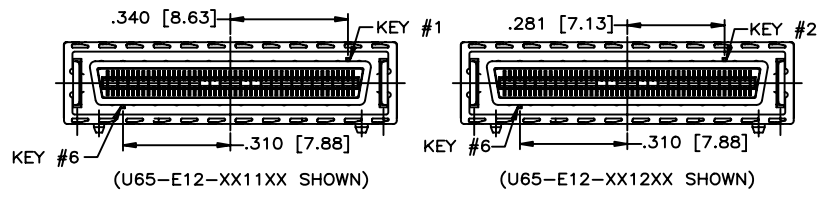
THIS DOCUMENT CONTAINS PROPRIETARY INFORMATION AND SUCH INFORMATION MAY NOT BE DISCLOSED TO OTHERS FOR ANY PURPOSE OR USED FOR MANUFACTURING PURPOSES WITHOUT WRITTEN PERMISSION FROM AMPHENOL CANADA CORP.

| REVISIONS | | | | |
|-----------|------|--------------|----------|--------|
| SYM | ZONE | ECN, ERN NO. | DATE | APPRD. |
| C | | PROPOSAL | MAY23/06 | A.G. |
| D | | PROPOSAL | SEP20/06 | A.G. |

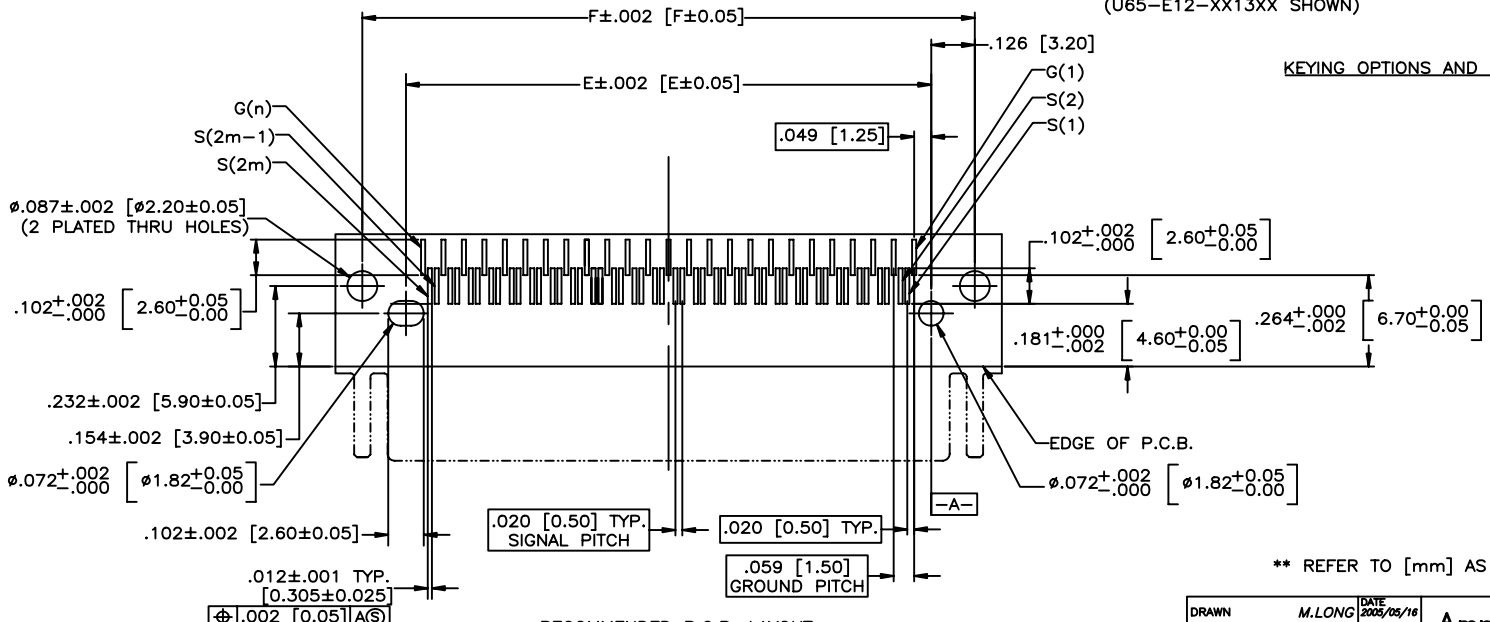
THIS IS A CAD DRAWING. DO NOT MANUALLY REVISE.



RECOMMENDED PANEL CUTOUT



KEYING OPTIONS AND LOCATIONS



RECOMMENDED P.C.B. LAYOUT
(COMPONENTS SIDE OF BOARD)

** REFER TO [mm] AS PRIMARY DIMENSIONS.

| | | | |
|-------------------|--------|--------------|------------|
| DRAWN | M.LONG | DATE | 2005/05/16 |
| DESIGNED | | | |
| CHECKED | J.SJ | DATE | 2005/05/16 |
| I. E. APPRD. | | | |
| Q. A. APPRD. | | | |
| DWG. APPRD. | | | |
| ENG. REL. NO. | | | |
| REF. | | | |
| DIMENSIONS ARE IN | | CODE ID. NO. | 03554 |
| INCHES [mm] | | | |

Amphenol Canada Corp.

TITLE
INFINITY 4X/12X RECEPTACLE, LANYARD
STYLE, FIXED BOARD, RIGHT ANGLE SMT,
LOCATING/SOLDERING POSTS

| | | |
|-------|-------------------|--------------|
| DWG. | DRAWING NO. | REV. |
| A | P-U65-XXX-XX1XXXX | D |
| SCALE | 2/1 | WT. _____ |
| SURF. | _____ | SHEET 4 OF 4 |

THIS DOCUMENT CONTAINS PROPRIETARY INFORMATION AND SUCH INFORMATION
MAY NOT BE DISCLOSED TO OTHERS FOR ANY PURPOSE OR USED FOR MANUFACTURING
PURPOSES WITHOUT WRITTEN PERMISSION FROM AMPHENOL CANADA CORP.